

DH-HAC-HFW2100S

1.3Megapixel 720P Water-proof IR HDCVI Camera



Features

- 1/3" 1.3Megapixel CMOS
- 25/30/50/60fps@720P
- High speed, long distance real-time transmission
- HD and standard definition switch.
- OSD Menu, control over coaxial cable
- Day/Night(ICR), AWB, AGC, BLC, 3D-DNR,
- 6mm fixed lens (2.8 mm, 3.6mm, 8mm optional)
- Max. IR LEDs length 20m, Smart IR
- IP66, DC12V

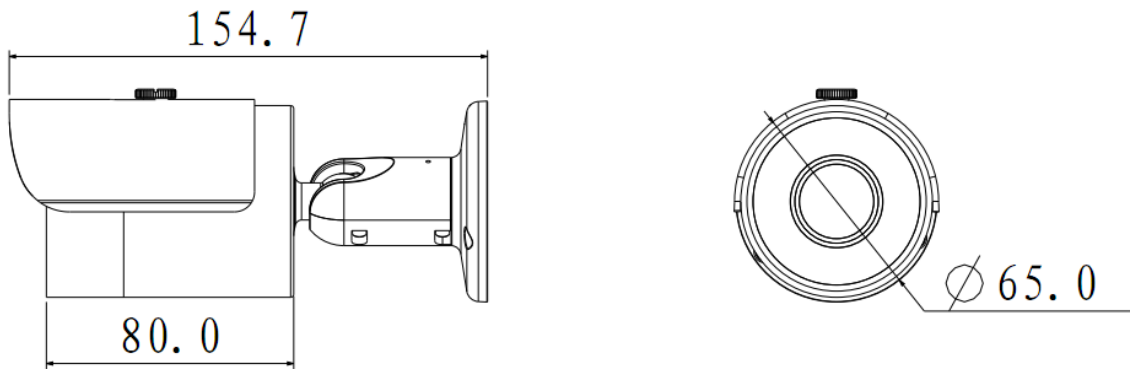
DH-HAC-HFW2100S

Technical Specifications

Model	DH-CA-HFW2100SP	DH-CA-HFW2100SN
Camera		
Image Sensor	1/3" 1.3Megapixel CMOS	
Effective Pixels	1280(H)×960(V)	
Electronic Shutter	4/25s~1/45,000s	4/30~1/54,000s
Video Frame Rate	1280×720@25 fps; 1280×720@30 fps; 1280×720@50 fps; 1280×720@60 fps	
Synchronization	Internal	
Min. Illumination	0.01Lux@F1.2(0Lux IR LED on)	
Video Output	1-channel BNC HDCVI high definition video output/ CVBS standard definition video output (Can switch)	
Camera Features		
Max. IR LEDs Length	20m, Smart IR	
Day/Night	Auto(ICR)/B&W/Color	
Noise Reduction	2D/3D	
OSD Menu	Support	
Lens		
Focal length	6mm (2.8 mm, 3.6mm, 8mm optional)	
Mount Type	M12	
General		
Power Supply	DC12V±10%	
Power Consumption	Max 4.2W	
Working Environment	-30°C~+60°C/ Less than 95%RH (no condensation)	
Transmission Distance	Over 500m via 75-3 coaxial cable	
Ingress Protection	IP66	
Dimensions(W×D×H)	Φ65mm x154.7mm	
Weight	380g	
Others	Default: bracket included	

DH-HAC-HFW2100S

Dimensions (mm)



Dahua Technology Co., Ltd.

1187 BinAn Road, Binjiang District, Hangzhou, China

Tel: +86-571-87688883

Fax: +86-571-87688815

Email: overseas@dahuatech.com

www.dahuasecurity.com

*Design and specifications are subject to change without notice.

© 2013 Dahua Technology Co., Ltd.