

DH-HAC-HFW2100B (-B)

1.3Megapixel 720P Water-proof IR HDCVI Camera



Features

- 1/3" 1.3Megapixel CMOS
- 25/30/50/60fps@720P
- High speed, long distance real-time transmission
- HD and standard definition switch.
- OSD Menu, control over coaxial cable
- Day/Night(ICR), AWB, AGC, BLC, 3D-DNR
- 6mm fixed lens (2.8 mm, 3.6mm, 8mm optional)
- Max. IR LEDs length 30m, Smart IR
- IP66, DC12V
- Default with bracket (HFW2100B-B)

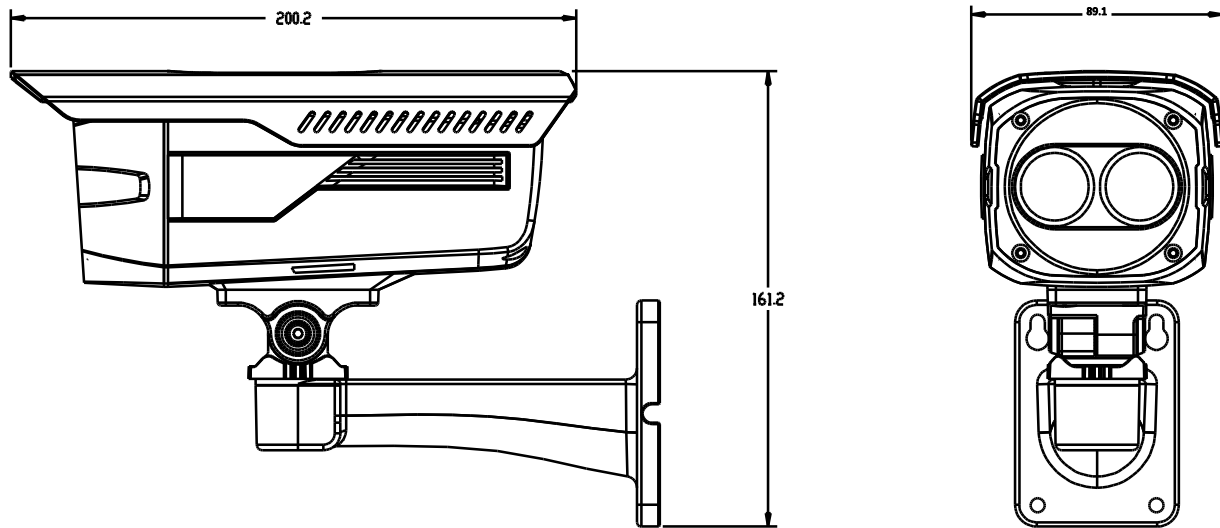
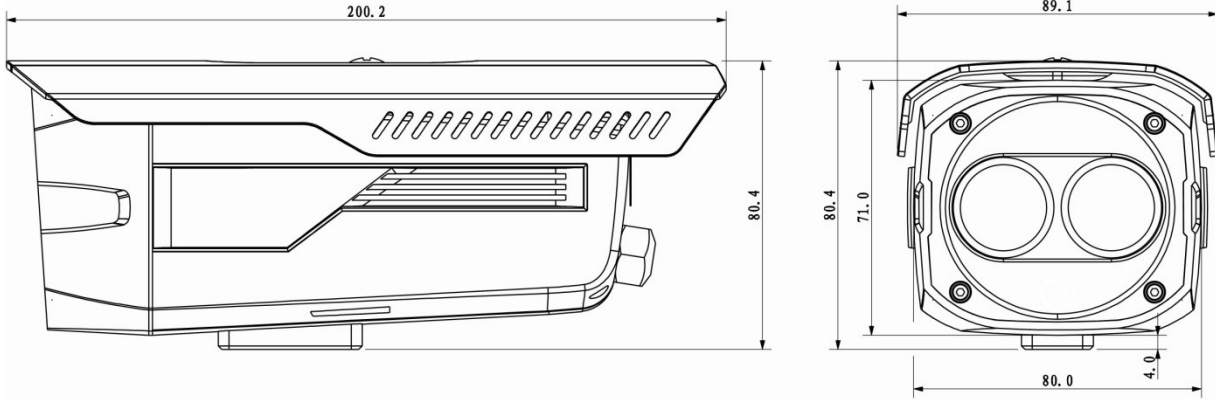
DH-HAC-HFW2100B (-B)

Technical Specifications

Model	DH-HAC-HF W2100BP	DH-HAC-HF W2100BN	DH-HAC-HF W2100BP-B	DH-HAC-HF W2100BN-B
Camera				
Image Sensor	1/3" 1.3Megapixel CMOS			
Effective Pixels	1280(H)×960(V)			
Electronic Shutter	PAL: 4/25s~1/45,000s; NTSC: 4/30~1/54,000s			
Video Frame Rate	1280×720@25 fps; 1280×720@30 fps; 1280×720@50 fps; 1280×720@60 fps			
Synchronization	Internal			
Min. Illumination	0.01Lux@F1.2(0Lux IR LED on)			
Video Output	1-channel BNC HDCVI high definition video output/ CVBS standard definition video output (Can switch)			
Camera Features				
Max. IR LEDs Length	30m, Smart IR			
Day/Night	Auto(ICR)/B&W/Color			
Noise Reduction	3D/2D			
OSD Menu	Support			
Lens				
Focal length	6mm (2.8 mm, 3.6mm, 8mm optional)			
Mount Type	M12			
General				
Power Supply	DC12V±10%			
Power Consumption	Max 6W			
Working Environment	-30°C~+60°C Humidity is less than 95%(no condensation)			
Transmission Distance	Over 500m via 75-3 coaxial cable			
Ingress Protection	IP66			
Dimensions(W×D×H)	200.2mm×89.1mm×80.4mm		200.2mm×89.1mm×161.2mm	
Weight	450g		580g	
Others	N/A		Default: bracket included	



DH-HAC-HFW2100B (-B)

Dimensions (mm)



DH-HAC-HFW2100B (-B)

Accessories (optional)

	
PFB120W	PFB121W

Dahua Technology Co., Ltd.

1187 BinAn Road, Binjiang District, Hangzhou, China

Tel: +86-571-87688883

Fax: +86-571-87688815

Email: overseas@dahuatech.com

www.dahuasecurity.com

*Design and specifications are subject to change without notice.

© 2013 Dahua Technology Co., Ltd.